


Type HM9J Load Cell



Short description



Nickel plated alloy steel IP68 dual shear beam load cell
High reliability
Suitable for train scales
Hermetically sealed

 test certificate no. TC8229 Revision 0
C of C no. R60/2000-NL1-12.47

Available models

Capacity	Accuracy	Full article description
15t	C2.5	HM9J-C2.5-15t-20F
20t	C2.5	HM9J-C2.5-20t-20F
30t	C2.5	HM9J-C2.5-30t-20F

Specifications and dimensions are subject to change without notice and do not constitute any liability whatsoever.

Type HM9J Load Cell

Detailed specifications HM9J

Accuracy class		C2.5
Output sensitivity (= FS)	mV/V	2.0 ± 0.2
Maximum capacity (E _{max})	t	15, 20, 30
Max.number of load cell intervals	n _{LC}	2500
Ratio of min. LC verification interval	$Y = E_{max} / v_{min}$	5000
Combined Error	%FS	≤± 0.028
Minimum dead load	Of E _{max}	0%
Safe overload	of E _{max}	120 %
Ultimate overload	of E _{max}	150 %
Zero balance	of FS	< ± 1.0 %
Excitation, recommended voltage	V	5 ~ 12
Excitation maximum	V	18
Input resistance	Ω	750 ± 10
Output resistance	Ω	703 ± 4
Insulation resistance	MΩ	≥5000 (at 50VDC)
Compensated temperature	°C	-10 ~ +40
Operating temperature	°C	-35 ~ +70
Storage temperature	°C	-40 ~ +80
Element material		Nickel plated alloy steel
Ingress Protection (acc. to EN 60529)		IP68

Wiring

Wiring:

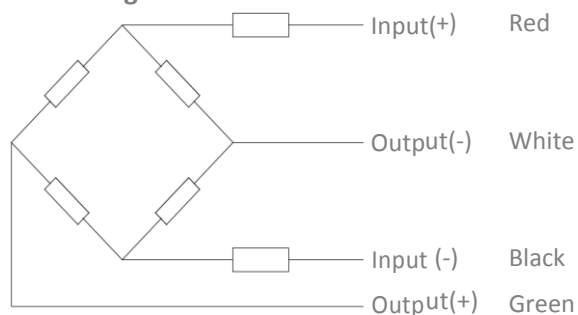
Shielded, 4 conductor rat-proof cable.

Cable diameter: 5.5 mm.

Standard cable length: 20m.

Shield not connected to element.

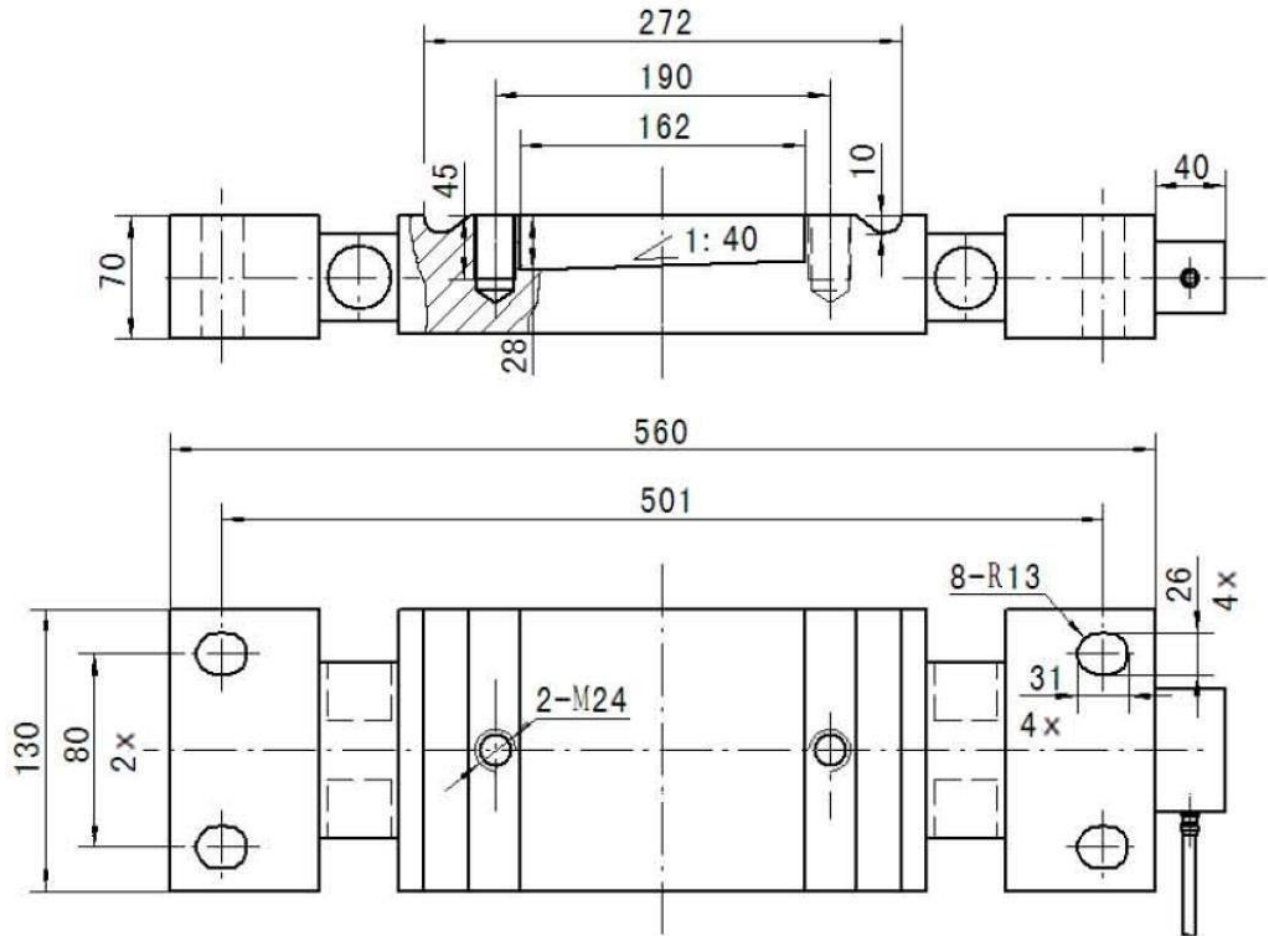
4-wire diagram



Specifications and dimensions are subject to change without notice and do not constitute any liability whatsoever.

Type HM9J Load Cell

Dimensions in mm



Specifications and dimensions are subject to change without notice and do not constitute any liability whatsoever.