


Type HM9E Load Cell



Short description

- Nickel plated alloy steel IP68 dual shear beam load cell
- High accuracy
- Suitable for truck and track scales and other heavy weighing devices
- Hermetically sealed



 test certificate no. TC7810 Revision 0
C of C no R60/2000-NL1-10.15

 Certificate no. 10-057A1

Available models

| Capacity | Accuracy | Full article description |
|----------|----------|--------------------------|
| 50Klb | C3 | HM9E-C3-50K-12B |
| 65Klb | C3 | HM9E-C3-65K-12B |
| 100Klb | C3 | HM9E-C3-100K-12B |
| 125Klb | C3 | HM9E-C3-125K-12B |
| 200Klb | C3 | HM9E-C3-200K-12B |

Specifications and dimensions are subject to change without notice and do not constitute any liability whatsoever.

Type HM9E Load Cell

Detailed specifications HM9E

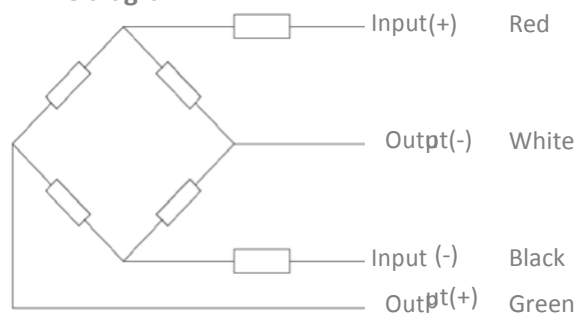
| | | | | |
|--|-------------------------|---------------------------|----------------------|----------------|
| Accuracy class | | OIML R60 C3 | | |
| Output sensitivity (= FS) | mV/V | 3.0 ± 0.003 | | |
| Maximum capacity (E _{max}) | Klb | 50, 65, 100, 125, 200 | | |
| Max.number of load cell intervals | n _{LC} | 3000 | | |
| Ratio of min. LC verification interval | $Y = E_{max} / v_{min}$ | 10000 | | |
| Combined Error | %FS | ≤± 0.0230 | | |
| Minimum dead load | Of E _{max} | 0% | | |
| Safe overload | of E _{max} | 150 % | | |
| Ultimate overload | of E _{max} | 300 % | | |
| Zero balance | of FS | < ± 1.0 % | | |
| Excitation, recommended voltage | V | 5 ~ 12 | | |
| Excitation maximum | V | 18 | | |
| Input resistance | Ω | 700 ± 7 | | |
| Output resistance | Ω | 703 ± 4 | | |
| Insulation resistance | MΩ | ≥5000 (at 50VDC) | | |
| Compensated temperature | °C | -10 ~ +40 | | |
| Operating temperature | °C | -35 ~ +65 | | |
| Storage temperature | °C | -40 ~ +80 | | |
| Element material | | Nickel plated alloy steel | | |
| Ingress Protection (acc. to EN 60529) | | IP68 | | |
| ATEX classification (optional) | | II1G Ex ia II1C T4 | II1D Ex iaD 20 T73°C | II3G nL IIC T4 |

Wiring

Wiring:

Shielded, 4 conductor cable.
Cable diameter: Ø8mm. Standard
cable length: 12m. Shield not
connected to element.

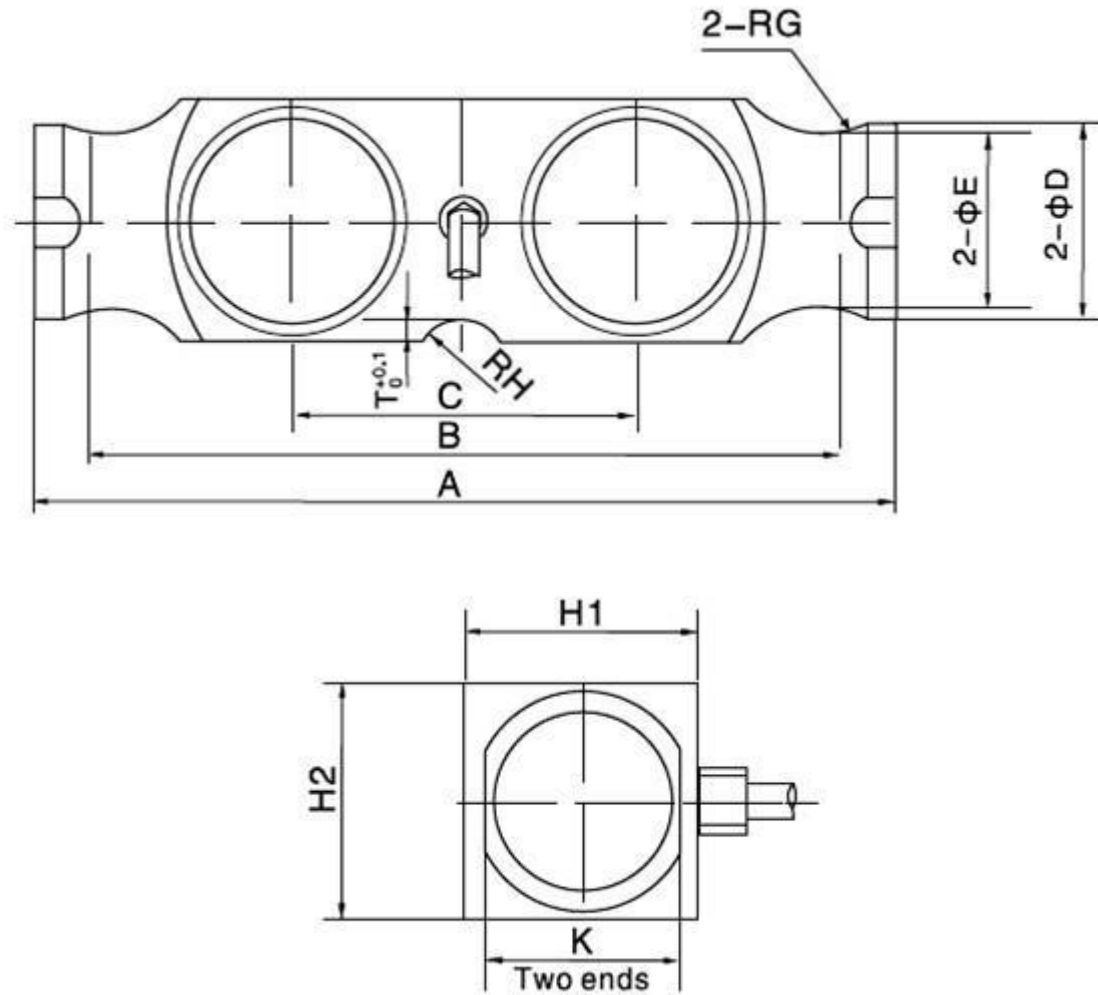
4-wire diagram



Specifications and dimensions are subject to change without notice and do not constitute any liability whatsoever.

Type HM9E Load Cell

Dimensions in mm



| Dimension Capacity | A | B | C | ϕD | ϕE | RG | RH | T | H1 | H2 | K |
|--------------------|-------|-------|-------|----------|----------|------|------|----|------|-------|------|
| 50Klb-125Klb | 260.5 | 215.9 | 101.6 | 61 | 52.32 | 25.4 | 25.4 | 7 | 76 | 76.2 | 55.9 |
| 200Klb | 304.8 | 254 | 111.8 | 70 | 59.69 | 38.1 | 38.1 | 10 | 86.1 | 86.36 | 63.5 |

Specifications and dimensions are subject to change without notice and do not constitute any liability whatsoever.