



Short description

- Nickel plated alloy steel IP68 column load cell
- Hermetically sealed
- High accuracy
- Robust and smart design without semi-conductors
- Set contains HM14H1 load cell with HY-14-146 mounting assembly



test certificate no. TC8228 Revision 0
C of C no R60/2000-NL1-12.46



RoHS

Available models

Capacity	Full article description	Article number
20t	HM14H1-C3-20t-20B-W1 + HY-14-146-W1	1140600
30t	HM14H1-C3-30t-20B-W1 + HY-14-146-W1	1140605
40t	HM14H1-C3-40t-20B-W1 + HY-14-146-W1	1140610
50t	HM14H1-C3-50t-20B-W1 + HY-14-146-W1	1140615

Specifications and dimensions are subject to change without notice and do not constitute any liability whatsoever.

Scaletec Mechatronics PVT. LTD.

F-1/106, Tower 3B
"Kashi Vishwesvar"
Jetapur Road, Alkapuri
Vadodara-390005 Gujarat, India

Nr. 2017.11 HM14H1 Load cell + Mounting kit Rev3

Detailed specifications HM14H1 Load cell + Mounting kit

Accuracy class		C3
Output sensitivity (= FS)	mV/V	2.0 ± 0.002
Maximum capacity (E _{max})	t	20, 30, 40, 50
Max.number of load cell intervals	n _{LC}	3000
Ratio of min. LC verification interval	$Y = E_{max} / V_{min}$	10000
Combined Error	%FS	≤± 0.02
Minimum dead load	Of E _{max}	0%
Safe overload	of E _{max}	150 %
Ultimate overload	of E _{max}	300 %
Zero balance	of FS	< ± 1.0 %
Excitation, recommended voltage	V	5 ~ 12
Excitation maximum	V	15
Input resistance	Ω	700 ± 7
Output resistance	Ω	703 ± 4
Insulation resistance	MΩ	≥5000 (at 50VDC)
Compensated temperature	°C	-10 ~+40
Operating temperature	°C	-35 ~ +65
Storage temperature	°C	-40 ~ +70
Element material		Nickel plated alloy steel
Ingress Protection (acc. to EN 60529)		IP68

Wiring

Wiring:

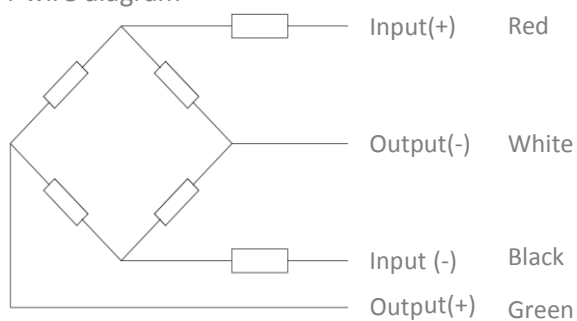
Shielded, 4 conductor cable.

Cable diameter: Ø5.0mm.

Standard cable length: 20m.

Shield not connected to element.

4-wire diagram



Specifications and dimensions are subject to change without notice and do not constitute any liability whatsoever.

Scaletec Mechatronics PVT. LTD.

F-1/106, Tower 3B

"Kashi Vishwesvar"

Jetalpur Road, Alkapuri

Vadodara-390005 Gujarat, India

Nr. 2017.11 HM14H1 Load cell + Mounting kit Rev3

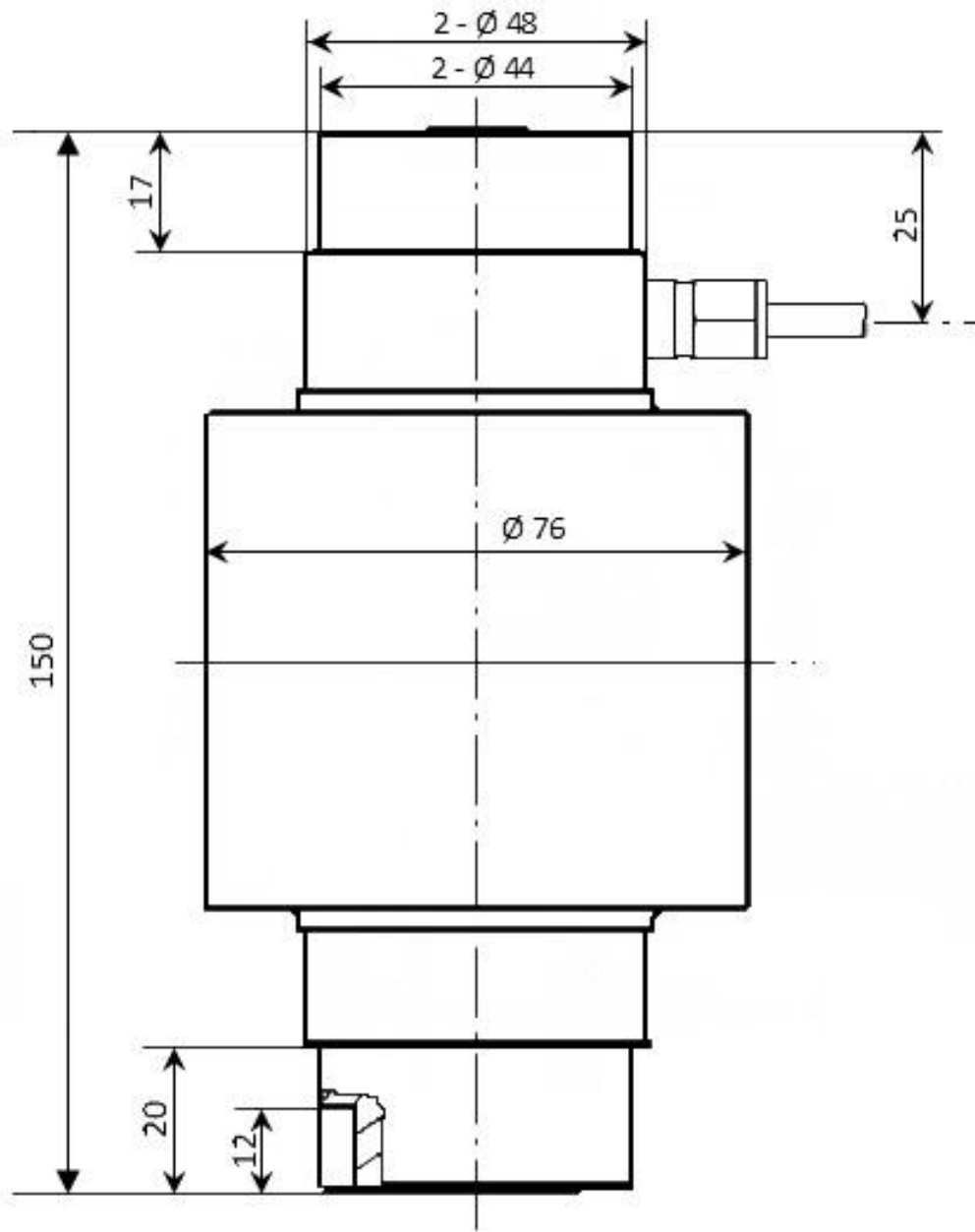
T: +91 265 2291527

+91 99099 66404

sales@scale-tec.in

www.scale-tec.in

Dimensions in mm



Specifications and dimensions are subject to change without notice and do not constitute any liability whatsoever.

Scaletec Mechatronics PVT. LTD.

F-1/106, Tower 3B

"Kashi Vishwesvar"

Jetalpur Road, Alkapuri

Vadodara-390005 Gujarat, India

Nr. 2017.11 HM14H1 Load cell + Mounting kit Rev3

3/4

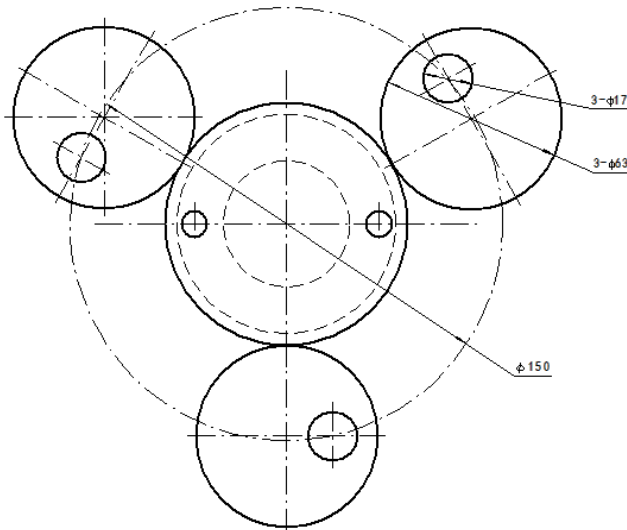
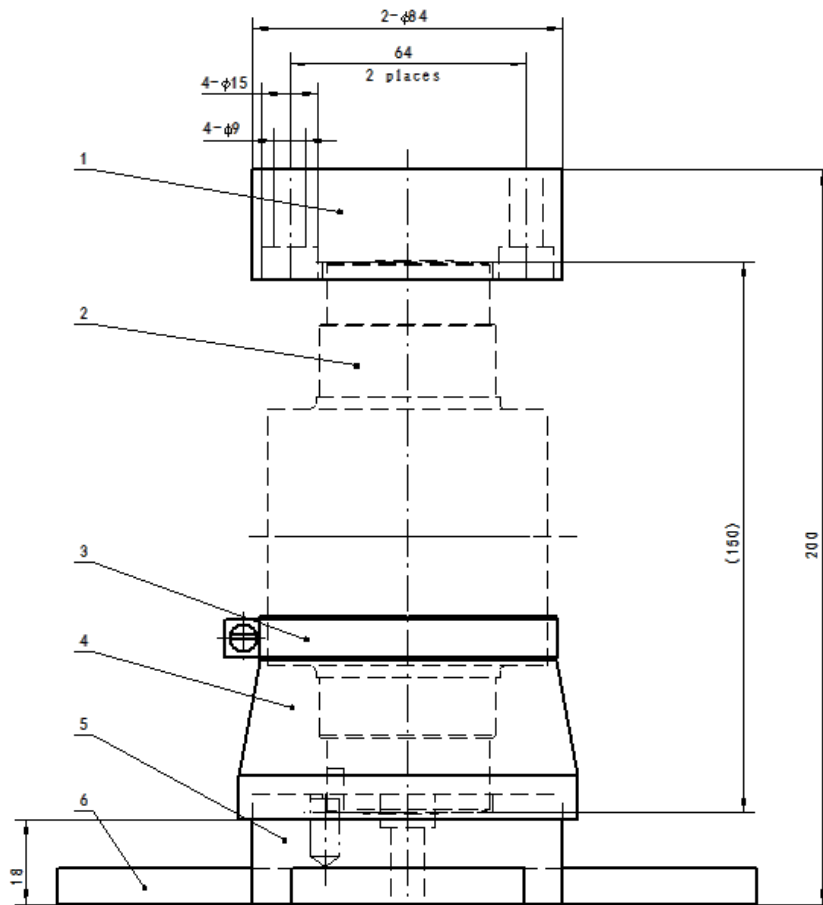
T: +91 265 2291527

+91 99099 66404

sales@scaletec.in

www.scaletec.in

Rocker support dimensions and part list



Part No.	1	2	3	4	5	6
Name	Upper Button	Load Cell	Tube Clip	Dust Cover	Bottom Button	Eccentric washers
Quantity	1	1	1	1	1	3

Specifications and dimensions are subject to change without notice and do not constitute any liability whatsoever.