

Type L6Q Load Cell



Short description

- Aluminium-Alloy IP65 single point load cell.
- Colourless anodized
- Suitable for single and double load cell structured platform scales.
- Maximum platform size: 400 x 400 mm



test certificate no. D09-07.06 and
TC7969 Revision 0
C of C no R60/2000-NL1-11.22



Certificate no. 11-104

Available models

Capacity	Accuracy	Full article description
50kg	C3/C4	L6Q-C3/C4-50kg-3B6
100kg	C3/C4/C5	L6Q-C3/C4/C5-100kg-3B6
150kg	C3/C4/C5	L6Q-C3/C4/C5-150kg-3B6
200kg	C3/C4/C5	L6Q-C3/C4/C5-200kg-3B6
250kg	C3/C4/C5	L6Q-C3/C4/C5-250kg-3B6

Specifications and dimensions are subject to change without notice and do not constitute any liability whatsoever.

Type L6Q Load Cell

Detailed specifications L6Q

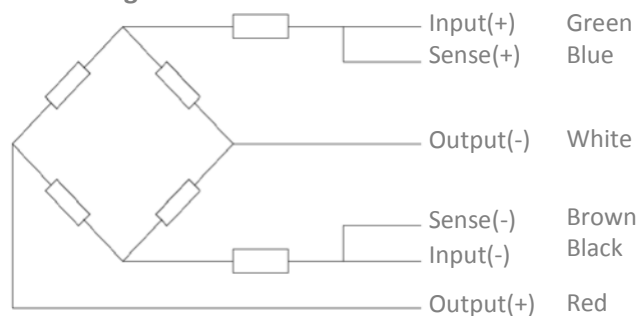
Accuracy class		OIML R60 C3	OIML R60 C4	OIML R60 C5
Output sensitivity (= FS)	mV/V	2.0 ± 0.2		
Maximum capacity (E _{max})	kg	50, 100, 150, 200, 250		100, 150, 200, 250
Max.number of load cell intervals	n _{LC}	3000	4000	5000
Ratio of min. LC verification interval	$Y = E_{max} / v_{min}$	10000	15000	20000
Combined Error	%FS	≤± 0.0230	≤± 0.0175	≤± 0.0140
Minimum dead load	Of E _{max}	0%		
Safe overload	of E _{max}	150 %		
Ultimate overload	of E _{max}	300 %		
Zero balance	of FS	< ± 2.0 %		
Excitation, recommended voltage	V	5 ~ 12		
Excitation maximum	V	18		
Input resistance	Ω	406 ± 6		
Output resistance	Ω	350 ± 3		
Insulation resistance	MΩ	≥5000 (at 50VDC)		
Compensated temperature	°C	-10 ~ +40		
Operating temperature	°C	-20 ~ +50		
Storage temperature	°C	-40 ~ +70		
Element material		Aluminium		
Ingress Protection (acc. to EN 60529)		IP65		
Recommended torque on fixation	Nm	M6: 10		

Wiring

Wiring:

Shielded, 6 conductor cable.
 Cable diameter: Ø5mm.
 Standard cable length: 2m.
 Shield not connected to element.
 Cable jacket in PVC.

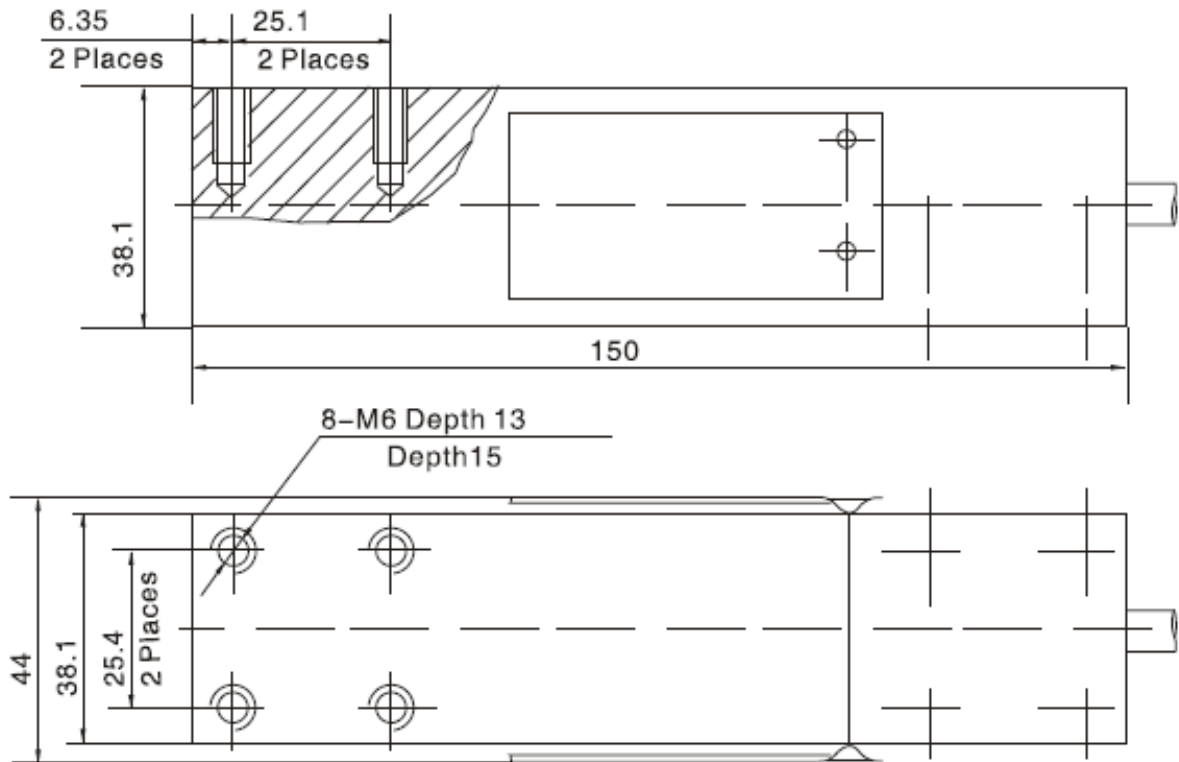
6-wire diagram



Specifications and dimensions are subject to change without notice and do not constitute any liability whatsoever.

Type L6Q Load Cell

Dimensions in mm



Specifications and dimensions are subject to change without notice and do not constitute any liability whatsoever.