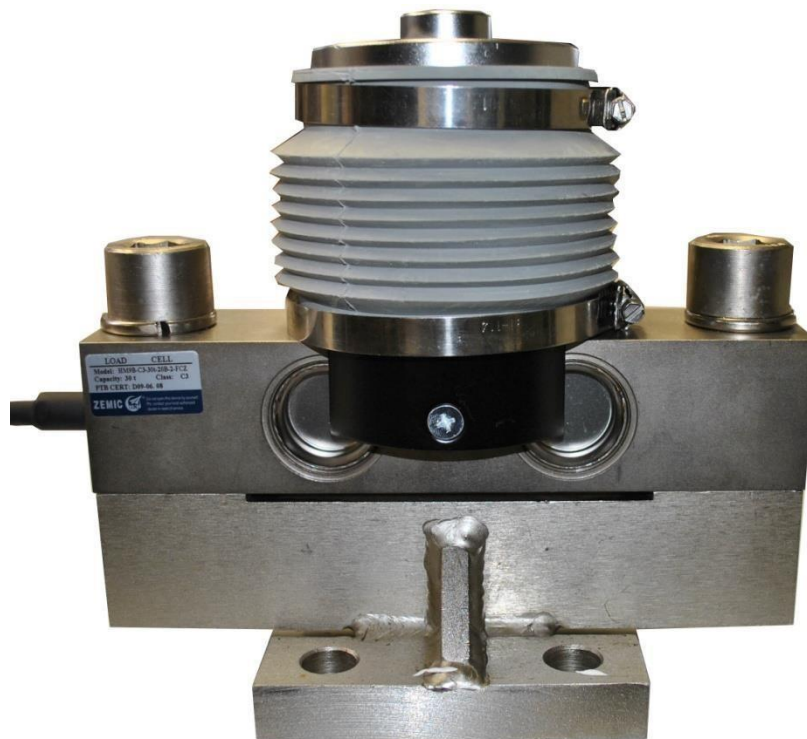


Type HM9B Load Cell



Short description

- Nickel plated alloy steel IP68 dual shear beam load cell
- High accuracy
- Suitable for truck, track, hopper and other electronic weighing devices
- Current calibrated (sc-option)



OIML test certificate no. D09-06.08
C of C no. R60/2000-CN1-06.06

Available models

Capacity	Accuracy	Full article description
10t	C3	HM9B-C3-10t-12B-2-FH
20t	C3	HM9B-C3-20t-12B-2-FH
25t	C3	HM9B-C3-25t-20B(-SC) -2-FH
30t	C3	HM9B-C3-30t-20B(-SC) -2-FH
40t SE	C3	HM9B-C3-40tSE-12B-2-FH
40t	C3	HM9B-C3-40t-20B-2-FH
50t	C3	HM9B-C3-50t-20B-2-FH

Specifications and dimensions are subject to change without notice and do not constitute any liability whatsoever.

Type HM9B Load Cell

Detailed specifications HM9B

Accuracy class		OIML R60 C3		
Output sensitivity (= FS)	mV/V	2.0 ± 0.002		
Maximum capacity (E _{max})	t	10, 20, 25	30, 40SE, 40, 50	
Max.number of load cell intervals	n _{LC}	3000		
Ratio of min. LC verification interval	$Y = E_{max} / V_{min}$	15000	7500	
Combined Error	%FS	≤± 0.0230		
Minimum dead load	Of E _{max}	0%		
Safe overload	of E _{max}	150 %		
Ultimate overload	of E _{max}	300 %		
Zero balance	of FS	< ± 1.5 %		
Excitation, recommended voltage	V	5 ~ 12		
Excitation maximum	V	18		
Input resistance	Ω	700 ± 7		
Output resistance	Ω	700 ± 7		
Insulation resistance	MΩ	≥5000 (at 50VDC)		
Compensated temperature	°C	-10 ~ +40		
Operating temperature	°C	-35 ~ +65		
Storage temperature	°C	-40 ~ +90		
Element material		Nickel plated alloy steel		
Ingress Protection (acc. to EN 60529)		IP68		
ATEX classification (optional)		II1G Ex ia II1C T4	II1D Ex iaD 20 T73°C	II3G nL IIC T4

Wiring

Wiring:

Shielded, 4 conductor cable.

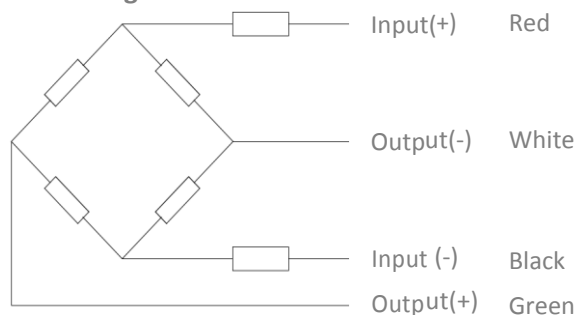
Cable diameter: Ø5.5mm.

Standard cable length for 10t and 20t: 12m and higher capacities: 20m.

Lower capacities also available with 20m and higher capacities with 12m cable.

Shield not connected to element.

4-wire diagram

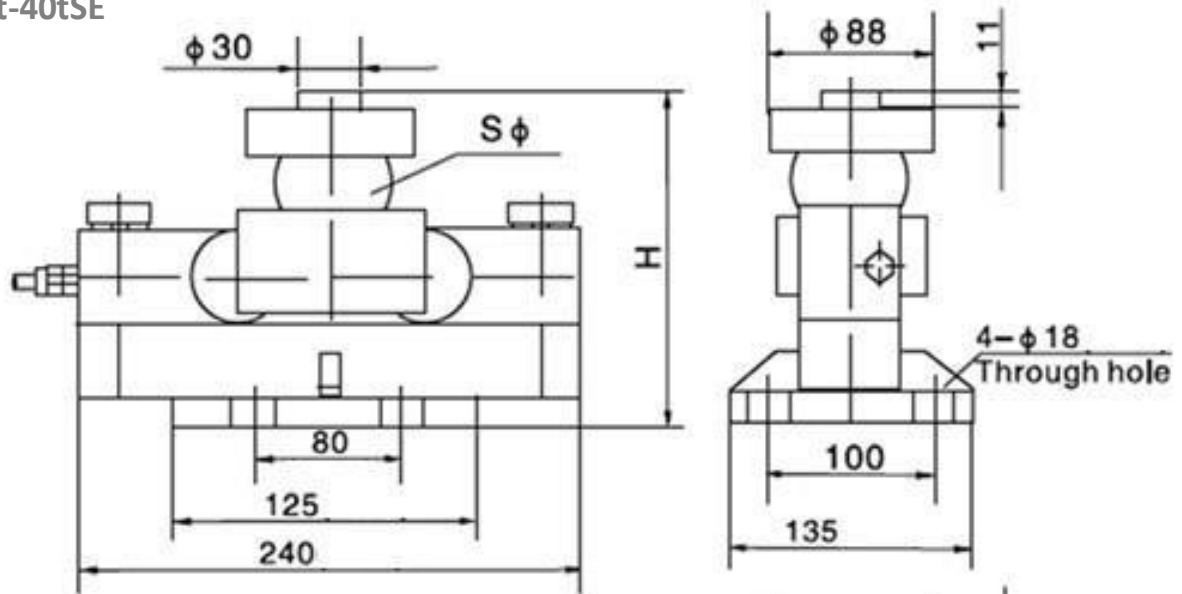


Specifications and dimensions are subject to change without notice and do not constitute any liability whatsoever.

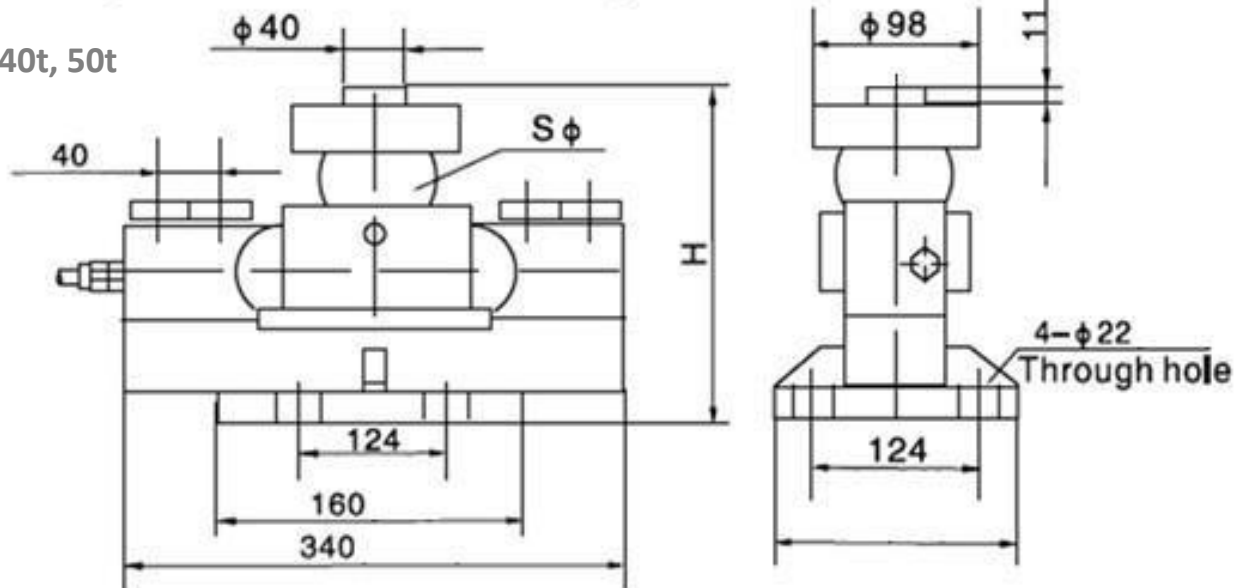
Type HM9B Load Cell

Dimensions in mm

10t-40tSE



40t, 50t



Dimension Capacity	H	ϕS
10t	195	50
20t-40tSE	225	76
40t, 50t	267	82

Specifications and dimensions are subject to change without notice and do not constitute any liability whatsoever.